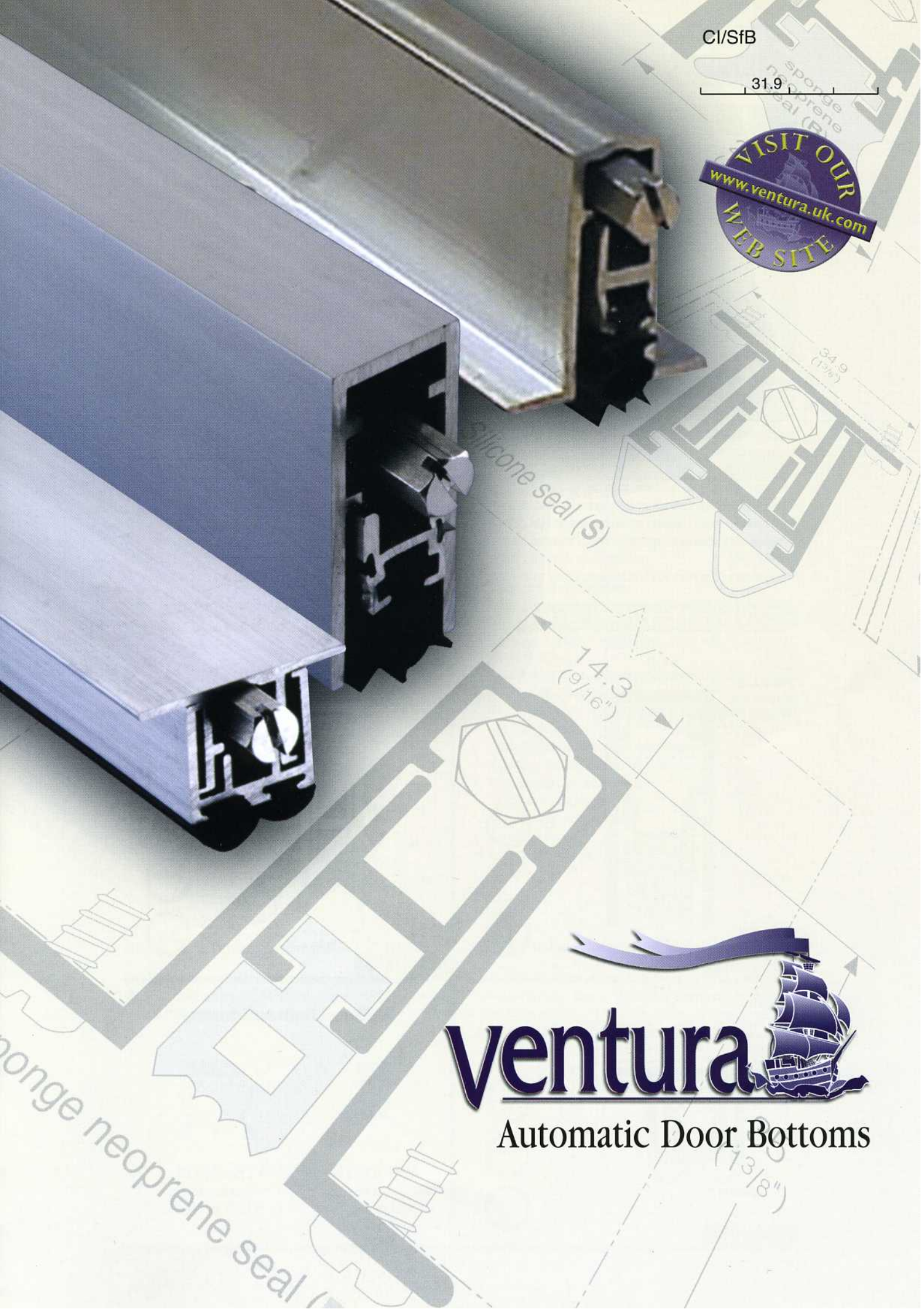


CI/SfB

31.9



ventura



Automatic Door Bottoms

AUTOMATIC DOOR BOTTOMS

Model	Application	Fitting	Door Type	Handed	Gap Seal	Seal Type *	Stock sizes(s) **
V4301 CRL	Heavy Duty	Surface or semi morticed	Timber or steel	No	up to 19mm	Sponge neoprene	838 / 915 1000mm / 1200mm
V434 ARL	Heavy Duty	Full mortice only	Timber or steel	No	up to 19mm	Sponge neoprene	838 / 915 1000mm / 1200mm
V4131 CRL	Medium Commercial	Surface or semi morticed	Timber or steel	No	up to 19mm	Sponge neoprene	838 / 915 / 1000mm
V411 ARL	Medium Commercial	Full mortice only	Timber or steel	No	up to 19mm	Sponge neoprene	838 / 915 1000mm / 1200mm
V420 ASL	Medium Commercial	Full mortice only	Steel only	No	up to 13mm	Silicone bulb	1000mm

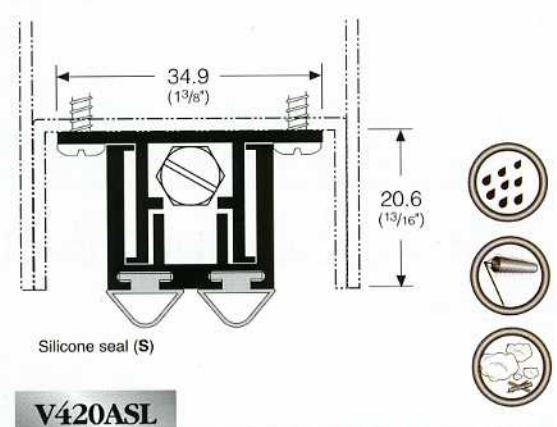
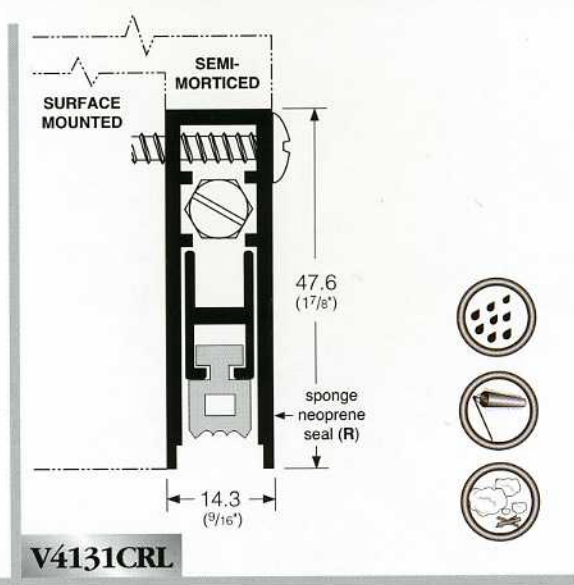
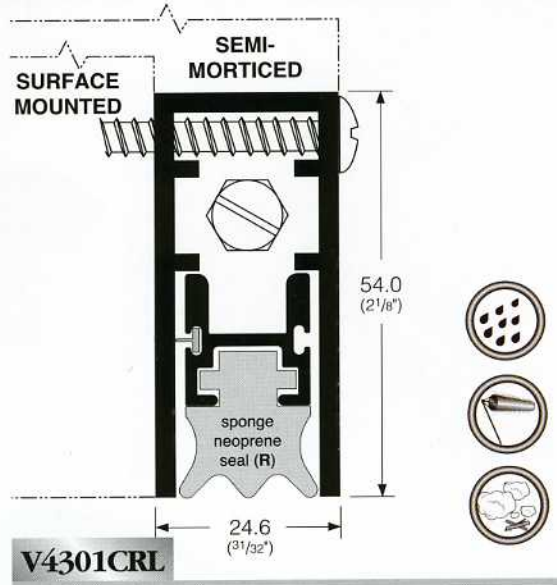
Notes: * Seal type; tri-ribbed sponge neoprene (R) is supplied as standard and is suitable for most smooth thresholds including aluminium, brass, timber, polished stone or marble conglomerate. For uneven surfaces such as soft riven stone, hollow bulb tri-finned neoprene may be supplied upon request. Substitute PK in place of R in the product code. For very irregular or carpeted surfaces such as in conference room dividing doors, the use of nylon brush seal should be used. Substitute NB (nylon brush) in place of R in the product code. All models (except V420) are available with brush seal produced to order only.

** Stock sizes :The sizes stocked are suitable for most regularly

produced door sizes. All models may be site trimmed by up to 125mm to suit actual door and frame width. Non standard sizes from 457 to 1828mm are available against special order. Contact Ventura's Technical Office for advice and information.

Automatic Door Bottoms may also be fitted to GRP and similar composition doors providing suitable and adequate bottom rail provision is allowed for in the door construction. Specialist OEM and custom made door manufacturers are recommended to discuss their requirements with our Technical design staff. Light duty residential models - VSA 2, VSA 3 bulb seal type and V405 sprung sweep blade type are available from our domestic range of door weather seals.

Non-Handed Surface & Semi-Mortice Models



Optional Bulb Seal Inserts



VPK4131BL
suitable for
V4131 & V411



VPK4301BL
suitable for
V4301 & V434

