

Pyrostrip®

FIRE SEALS FOR DOUBLE ACTION STEEL FIRE DOORS

CI/SfB	32.5	X	(K2)
June 1999			

Tried and tested fire and smoke seals from Mann McGowan.

Introduction

Mann McGowan have designed a specific door edge seal for use on double action steel doors. This engineered product can be fitted in special rolled steel sections to provide up to 90 minutes integrity in accordance with BS476 Part 22, 1987.

Description

PYROSTRIP 20 x14 comprises of 5 layers of intumescent, encapsulated with a rigid PVC outer sleeve. The section measures 20mm wide by 14mm deep, with a domed profile at the top of the section. The product can be supplied with a self adhesive backing if required.

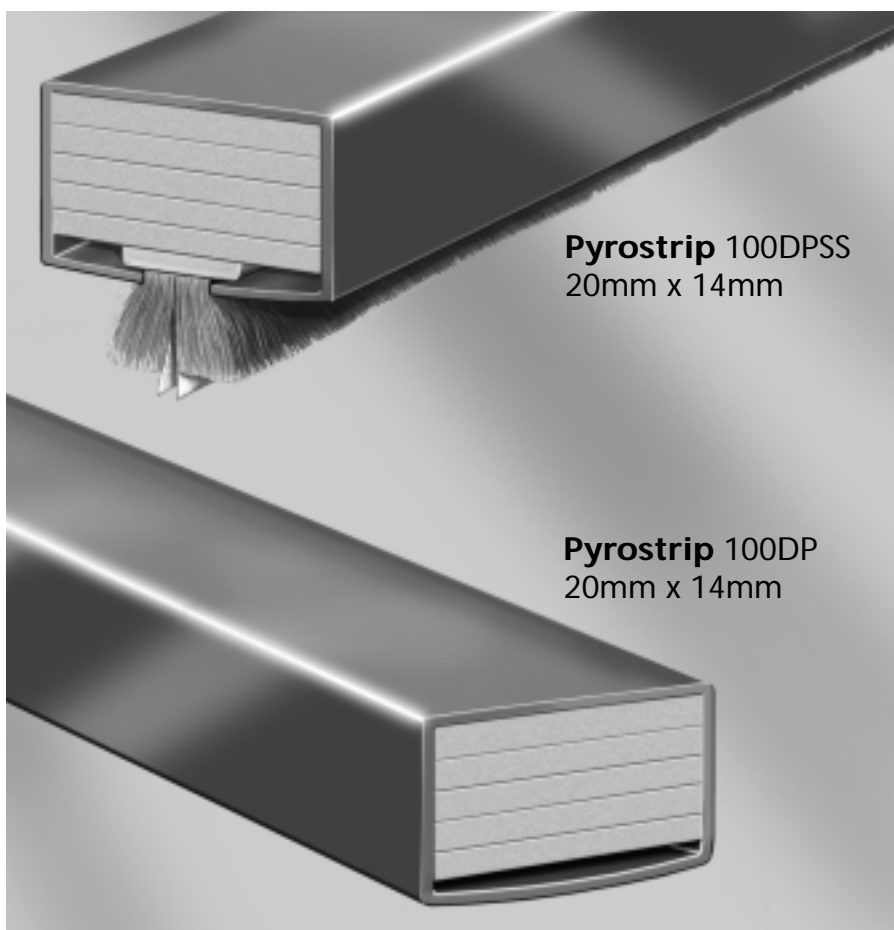
PYROSTRIP 20mm x 14mm can be supplied as a fire seal only or with a combined cold smoke seal.

Performance

PYROSTRIP 100DP/DPSS 20mm x 14mm have been assessed by TRADA in conjunction with Forster steel tube profiles in accordance with BS476 Part 22, 1987, for 90 minutes integrity.

Applications

PYROSTRIP 100DP/DPSS 20mm x 14mm should be used in the door rebates of approved steel door systems such as Forster Presto. Steel should be degreased, clean, and free of friable paint finishes. When using the self adhesive version, peel the release paper



Pyrostrip 100DPSS
20mm x 14mm

Pyrostrip 100DP
20mm x 14mm

from the back of the seal and bond into position. As the 100DPSS has a facility for renewing the smoke seal, should it suffer damage or wear, this should be mechanically fixed by using self tapping screws, top and bottom.

Finishes

Standard colours*

White
Black
Cream
Dark brown
Light brown

Standard lengths

1000mm
1050mm
2050mm
2100mm

Non-standard colours and lengths are available on request.

**The brush smoke seal is supplied in black and has a 10mm pile height as standard, other pile heights are available..
Flexifin can also be supplied as a cold smoke seal.*

Ordering

The ordering codes are as follows:

FIRE SEAL ONLY

PYROSTRIP 100DP 20mm x14mm

FIRE AND SMOKE SEAL

PYROSTRIP 100DPSS 20mm x 14mm

When ordering please call our sales department and state length/colour required and if a self adhesive backing is required.

Technical Services

Mann McGowan can offer advice on the application of all our products. Please contact our technical department.

All the information, specifications and illustrations contained in this literature is given as guidance only and does not form part of any contract.

Pyrostrip is a registered trademark of Mann McGowan.

The information and images on this leaflet are the property of Mann McGowan and cannot be reproduced or copied in any format without the prior permission of the Directors.

TYPICAL APPLICATION FOR PYROSTRIP IN A DOUBLE ACTION DOOR SYSTEM

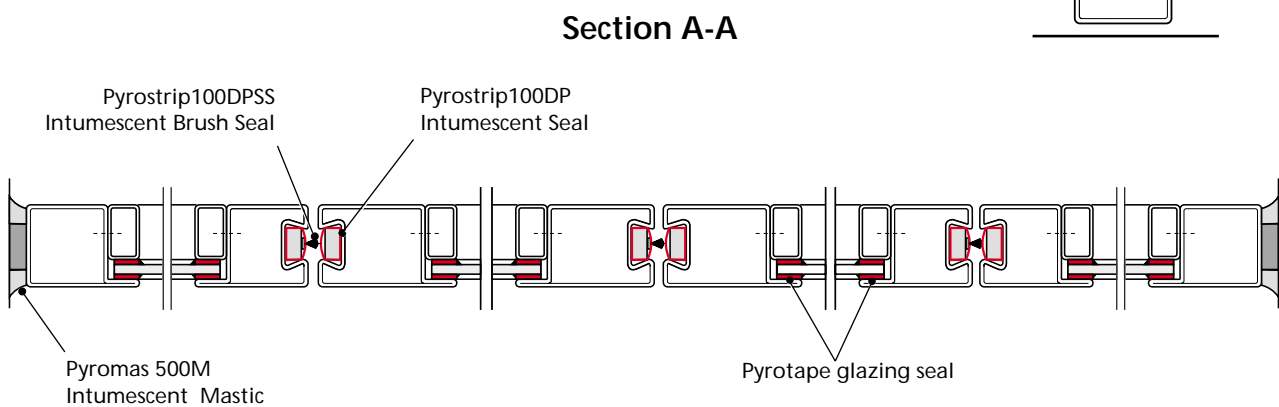
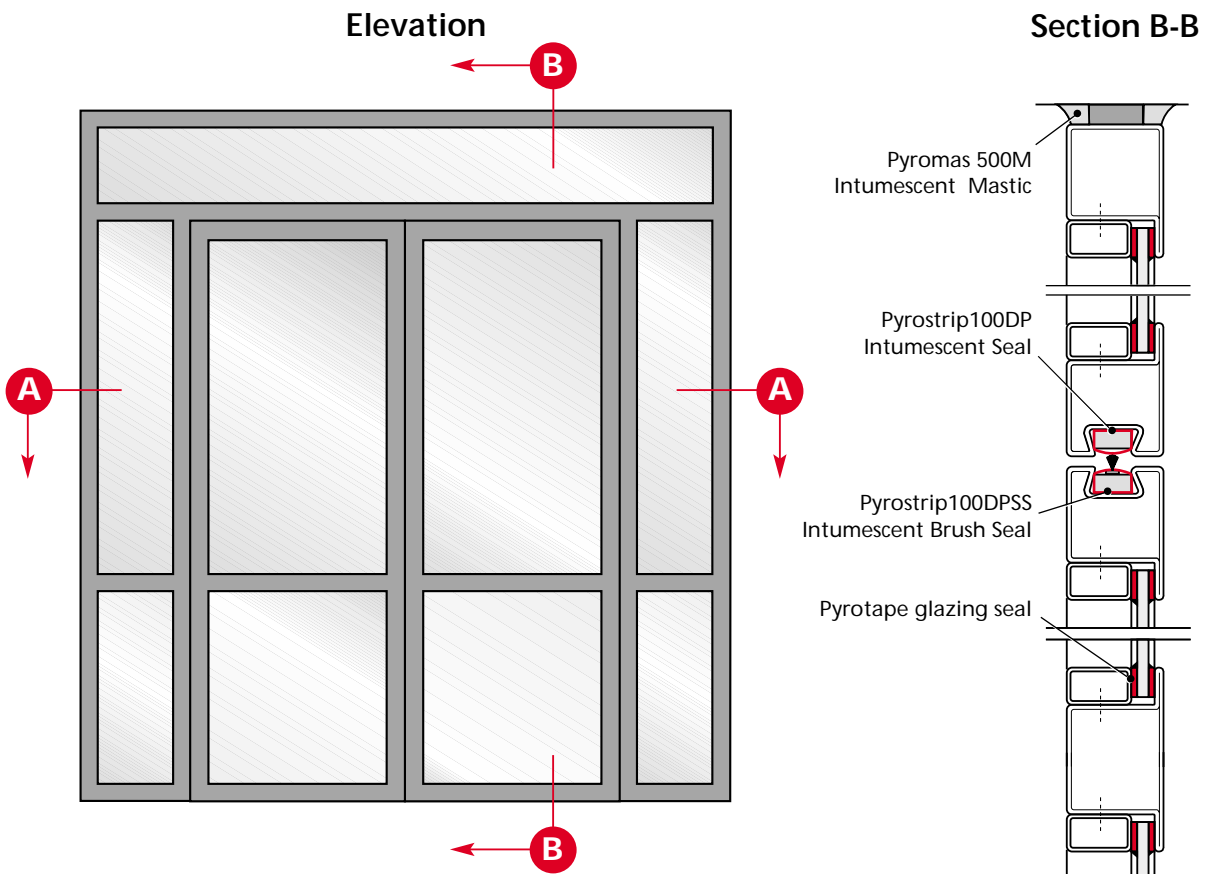


Diagram shows a typical double acting door and glazing system incorporating **Pyrostrip 100DP** and **100DPSS** 20 X 14mm fire and smoke seals shown in red. Mann McGowan can advise on the application of their products. For full details contact their Technical Department on the number below.



Certificate No: 93/2172 FIRAS MEMBER