

# CERTIFIRE APPROVED INTUMESCENT FIRE AND COLD SMOKE SEALS

## INTRODUCTION

Following the British Woodwork Federation initiative to define a standard Fire Door Frame, Intumescent Direct have completed fire tests in accordance with Certifire Technical Schedule 35.

This new initiative specifies frame material, density and size, and a 15mm x 4mm intumescent seal. This is a common, interchangeable frame; lining or casing that can be used with most BWF-Certifire certificated FD 30 doors.

## DESCRIPTION

The seals were manufactured using a complex mix of chemical compounds bonded into a pvc sleeve with a self adhesive backing. The seals measured 15mm x 4mm.

## PERFORMANCE FIRE (BS 476 Part 22)

Fire tests were conducted on 2 door types, 1 manufactured from GDC (Graduated Density Chipboard) the other flax board.

Fire resistance times of 34 and 38 minutes were achieved.

Certifire CF 356 applies.

## PERFORMANCE COLD SMOKE (BS 476 Part 31/1)

Our range of brush pile and soft neoprene type seals can be used in conjunction with the above to provide cold smoke sealing as described in BS 476 Part 31/1.

Our Flexifin seals can also be interrupted at hinge positions without compromising the sealing capabilities of the product (Please contact our technical department for more information).

Certifire CF 280 applies.

## APPLICATION

The ID 15 x 4, 15 x 4 SS and 15 x 4 Flexifin range can now be used on Certifire Approved FD 30 and FD 30 S door-sets. (See diagrams on reverse.)

## FINISHES

Standard Colours White and Brown

Standard Lengths 1050mm, 2100mm.

## Ordering

ID 15 x 4 seals can be ordered direct from our sales office. The following codes apply.

ID15 x 4 Fire Seal only

ID 15 x 4 SS Fire and black brush pile smoke seal

ID 15 x 4 Flexifin Twin Neoprene smoke seal

Brush pile and Flexifin are supplied in black as standard.

Please state colour (white or brown) and length required when ordering.

For more information, please contact our sales office.

See over for installation diagrams.



Certificate No: 93/2172

# INTUMESCENTS DIRECT

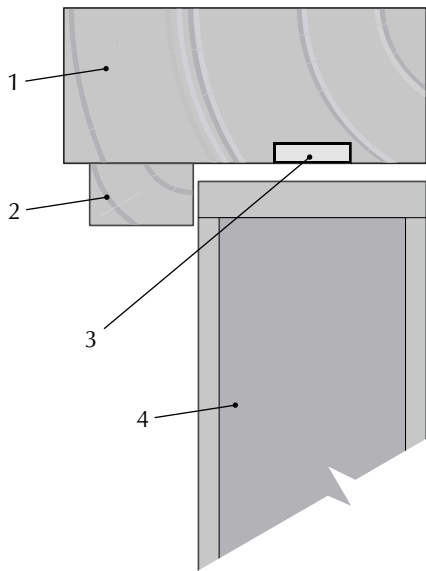
## Intumescent Direct

Unit 4, Brook Trading Estate  
Aldershot, Hampshire GU12 4XB

Tel: 01252 338731

Fax: 01252 338733

Email: sales @mannmcgowan.co.uk

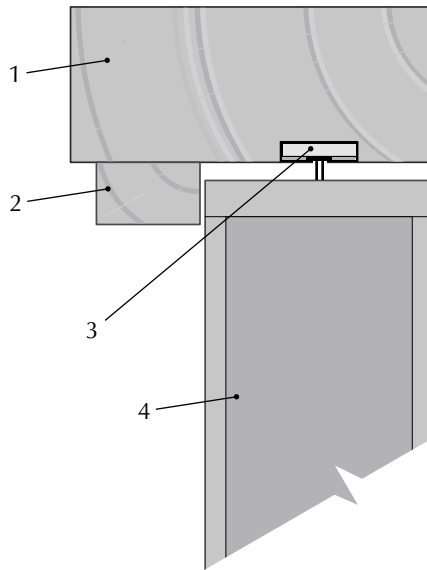


### FD30

- 1 Redwood Frame (510Kg/m<sup>3</sup>)  
70mm x 30mm.
- 2 Door Stop 12mm High.
- 3 ID 15 x 4
- 4 Certifire Approved Door Leaf.

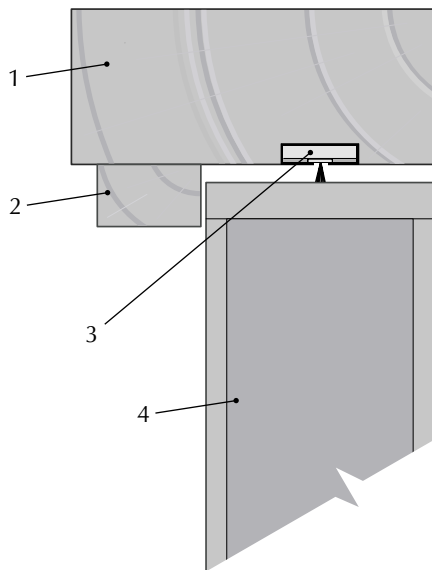
### FD30S

- 1 Redwood Frame (510Kg/m<sup>3</sup>)  
70mm x 30mm.
- 2 Door Stop 12mm High.
- 3 ID 15 x 4 Flexifin Twin
- 4 Certifire Approved Door Leaf.



### FD30S

- 1 Redwood Frame (510Kg/m<sup>3</sup>)  
70mm x 30mm.
- 2 Door Stop 12mm High.
- 3 ID 15 x 4 SS
- 4 Certifire Approved Door Leaf.



**INTUMESCENTS DIRECT** →



Certificate No: 93/2172

### Intumescent Direct

Unit 4, Brook Trading Estate  
Aldershot, Hampshire GU12 4XB

Tel: 01252 338731

Fax: 01252 338733

Email: [sales@mannmcgowan.co.uk](mailto:sales@mannmcgowan.co.uk)