

THERM-A-GLAZE 60

THE ALL BRITISH NEW GENERATION INTUMESCENT GLAZING FIRE SEAL



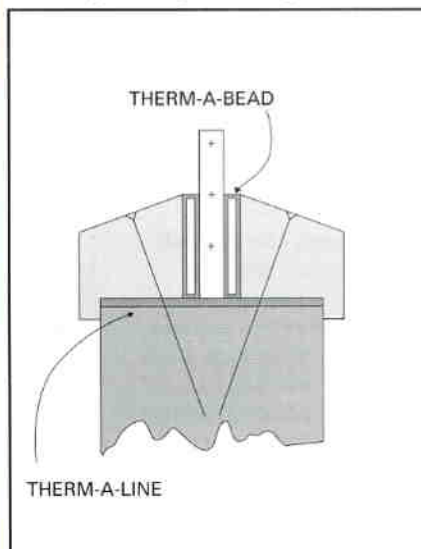
INTRODUCTION

Intumescent fire seals are an essential element of glazing in timber fire door sets designated to meet the criteria of BS 476 : parts 20 and 22 : 1987.

To meet this requirement Intumescent Seals has developed a unique intumescent system representing a breakthrough in intumescent product technology.

APPLICATION

THERM-A-GLAZE 60 one hour glazing system has been developed to provide protection



to the glazing panel in FD60 and FD60S rated timber fire doors using hardwood glazing beads. The beads do not require any treatment. Depending on the particular leaf construction and doorset arrangement employed, permitted glazed areas may be up to 0.47m².

The glass types that can be used are 6mm thick georgian wired plate glass, borosilicate or ceramic glass.

Door constructions incorporating flaxboard or particleboard cores require the glazing aperture to be lipped with a minimum of softwood for 54mm thick doors and with hardwood of minimum density 600kgm⁻³ for 45mm thick doors.

For more specific advice please contact Intumescent Seals

DESCRIPTION

THERM-A-GLAZE 60 one hour glazing system comprises the following components:
THERM-A-LINE – a specially formulated intumescent with erosion resistant qualities.

ifsa

The Intumescent Fire Seals Association



PRODUCT DATA SHEET

THERM-A-GLAZE 60

THERM-A-BEAD – a high expansion phosphate based intumescent contained in a pvc sleeve designed to provide a masking effect on the beads with maximum insulation between the glass and the bead.

TEST EVIDENCE

THERM-A-GLAZE 60 has been successfully tested to BS 476 : Parts 20 and 22 : 1987 in two 54mm FD60 timber fire doors – reference TRADA test FR1632 – 14/7/92.

Door A – laminated softwood core with chipboard facing. Aperture size 650 x 600 mm. Integrity failure – 71 minutes.
Door B – flaxboard core, overlaid with non-combustible board and faced with chipboard. Aperture size 650 x 600 mm, hardwood lined. Integrity failure – 70 minutes.

TRADA QA SCHEME

THERM-A-GLAZE 60 has also been assessed and incorporated into the TRADA QA Scheme for 54 mm and 45 mm thick timber fire doors.

AVAILABILITY

THERM-A-GLAZE 60 is supplied as a complete system in the following sizes:

THERM-A-LINE
2100 x 54 x 2mm and
2100 x 45 x 2mm

THERM-A-BEAD
2100 x 25 x 4mm

The pvc sleeve is available in brown, white, cream and red. Both components are supplied as standard with a self-adhesive backing tape.

ADVICE

A detailed fitting instructions leaflet is provided with each shipment of THERM-A-GLAZE 60.

Please contact us if you require further assistance.

Intumescent Seals
Pampisford
Cambridge
CB2 4HG

Telephone: (01223) 832758
Fax: (01223) 837215

Although every effort is made to ensure that the data and information in this document is correct, it does not form part of a contract. Intumescent Seals reserves the right to change any product or specification without notice.

The information in this document is the copyright of Intumescent Seals And no part may be reproduced by any means without prior permission.