

# PRODUCT DATA SHEET

## THERM-A-GLAZE

### THE ALL BRITISH NEW GENERATION INTUMESCENT GLAZING FIRE SEAL

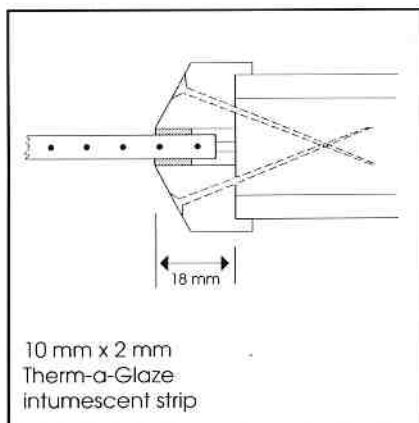


#### INTRODUCTION

Intumescent fire seals are an essential element of a glazing panel in a timber fire door set designed to meet the criteria of BS 476: Parts 20 and 22: 1987. To meet this requirement Intumescent Seals Limited has developed a unique intumescent formulation representing a breakthrough in intumescent product technology.

#### APPLICATION

THERM-A-GLAZE has been developed to provide protection to the glazing panel and timber beading. A strip 10 mm x 2 mm located between the beads and the glass will provide fire resistant protection in an FD 30 or FD 30S timber fire door when suitable beading has been used. THERM-A-GLAZE can be used without additional protection from moisture or other atmospheric pollutants. It can be installed in either external or internal timber fire door sets.



10 mm x 2 mm  
Therm-a-Glaze  
intumescent strip

THERM-A-GLAZE is a flexible material and is very easy to fit. A pair of scissors or knife is all that is required to cut it to size, and its self adhesive backing ensures a simple but reliable method of fixing to the timber beading. THERM-A-GLAZE can be used to protect 6 mm Georgian wired glass in apertures up to 900 mm x 600 mm.

#### DESCRIPTION

THERM-A-GLAZE is manufactured to a unique chemical formulation based on expandable graphite. The flexible strip is inherently resistant to water and normal environmental conditions so that no external protection is required.

#### TEST EVIDENCE

Test evidence is available on request

#### AVAILABILITY

THERM-A-GLAZE is supplied as a self adhesive strip 10 mm x 2 mm and in standard lengths of 2100 mm.

#### ADVICE

Please contact us if you require further assistance.

In view of our continuing research and development we reserve the right to improve the product, which may change the details of this leaflet.

© 1990



**Intumescent Seals**  
Unit 3, The Old Brewery,  
Pampisford, Cambridge CB2 4EW  
Tel: (01223) 832758  
Fax: (01223) 837215