

PRODUCT DATA SHEET

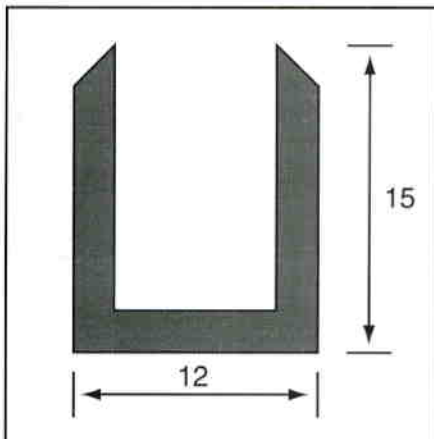
CI/SfB
(32.5) R08 (K2)

THERM-A-CHANNEL

A UNIQUE 30 MINUTE GLAZING GASKET

INTRODUCTION

THERM-A-CHANNEL provides a solution to a problem long encountered in the 30 minute glazing market; the need for a dry, easily applied and cost effective glazing system which meets the relevant performance standards required by the building regulations when tested to BS 476 parts 20 and 22, 1987.



DESCRIPTION

THERM-A-CHANNEL is a specially compounded intumescent elastomeric material which is extruded into a channel, forming a glazing gasket which cups the edge of the glass pane. Being elastomeric the gasket is impervious to water and atmospheric moisture.

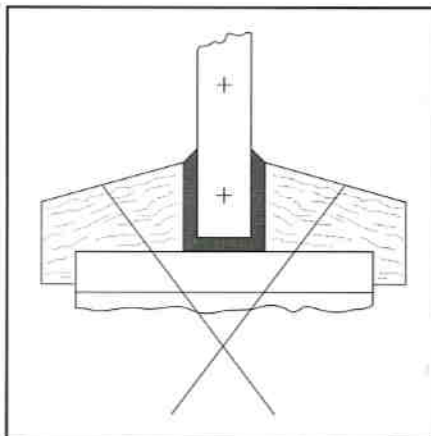
PERFORMANCE

THERM-A-CHANNEL has been designed and tested for use in the 30 minute glazing applications found in screens and fire doors, using either wired or clear fire rated glass. It is approved for use with glass sized up to 700x800mm in FD30 and FD30S fire doors and screens. As with any fire-rated element it is essential that the construction used is of a type previously tested, and therefore the following specifications should be followed:-

FIREDOORS

Glazing aperture in Particleboard core doors to be lined with 6mm Hardwood.

Beads – softwood, 13mm high x 21mm wide. **Fixings** – 12g steel pins 40mm long at 150mm centres.



ifsa

The Intumescent Fire Seals Association



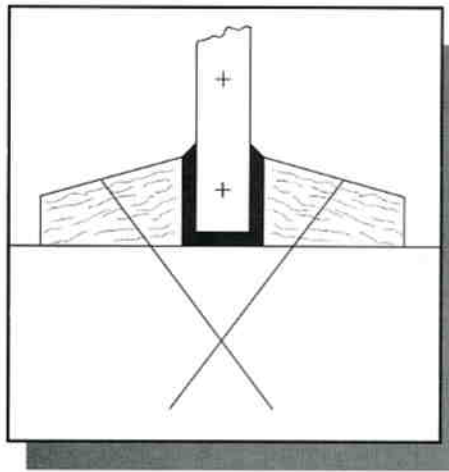
Intumescent Seals

PRODUCT DATA SHEET

THERM-A-CHANNEL

SCREENS

Frame – softwood
90x45mm. **Beads** – softwood
13mm high x 21mm wide.
Fixings – 12g steel pins, 40mm
long at 150mm centres.



INSTALLATION

THERM-A-CHANNEL is simply cut to length to the perimeter of the glass pane. The corners are mitred cutting the side wall only and leaving the base intact. It is then pushed onto the glass edge, no adhesives or sealants are required and finally, the aperture is glazed as detailed under performance.

TEST EVIDENCE

THERM-A-CHANNEL is covered by test report no IFCI

290, where a glazed panel 808 by 710mm in a flaxboard core doorleaf, retained by softwood beads attained 36 minutes integrity. Its use in softwood screens is covered by report no DIG 9611131 where a softwood screen with central transom attained an integrity rating of 34 minutes.

AVAILABILITY

THERM-A-CHANNEL is available ex-stock in 100M coils.

Although every effort is made to ensure that the data and information in this document is correct, it does not form part of a contract. Intumescent Seals Limited reserves the right to change any product or specification without notice.

The information in this document is the copyright of Intumescent Seals Limited and no part may be reproduced by any means without prior permission.

Intumescent Seals
Unit 3, The Old Brewery,
Pampisford,
Cambridge CB2 4EW.
Telephone: (01223) 832758

Fax: (01223) 837215