



Product Description

Abesco Super Compact Fire Collars are designed to maintain the fire resistance of metal stud partition walls, concrete floors and blockwork walls where they are penetrated by plastic pipes.

They consist of a powder coated split / hinged cylindrical steel shell which can be opened and fitted around the pipe. The steel shell contains a heat reactive graphite based intumescent material. Each collar is fastened by means of a toggle clasp and is fixed to the wall using the integral 'fixing lugs' at the base of the unit.

Abesco Super Compact Fire Collars are suitable for use on uPVC, cPVC, HDPE, MDPE, PP & ABS plastic pipes up to 160mm diameter.

Fire Performance Table

Installation	Size	Insulation	Integrity
Surface mounting to concrete wall / floor	55-160mm	120 mins	120 mins
Cast in to concrete wall / floor	55-110mm	60 mins	120 mins
Semi cast in to concrete wall / floor	55-110mm	60 mins	120 mins
Surface mounting to metal stud dry wall	55-160mm	120 mins	120 mins

Typical Dimensions

Size	Height	Shell O/D
55-110mm	50mm	*
160mm	60mm	186mm

* Depending on Fire Collar internal diameter

Test Standards

Testing in accordance with the methodology and criteria described in:

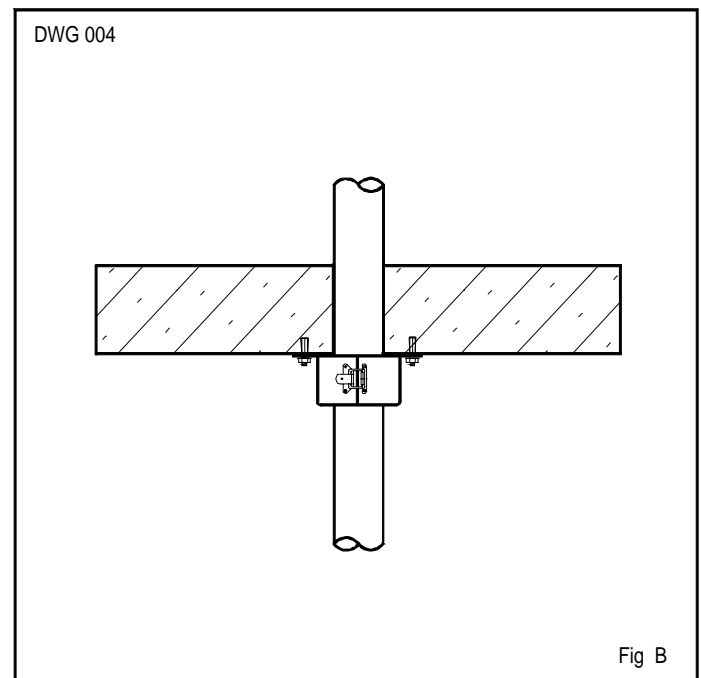
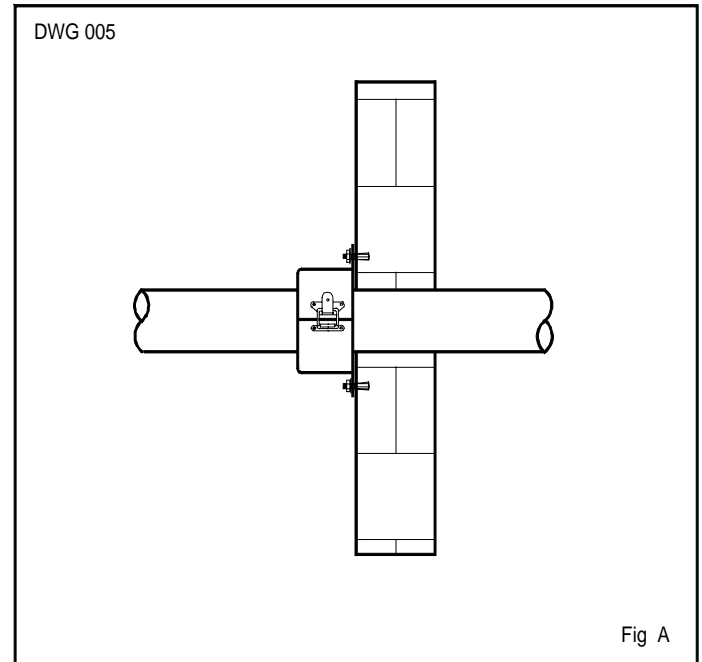
- BS 476 part 20:1987

As part of our policy of ongoing improvement, we reserve the right to modify, alter or change product specifications without giving notice. Product illustrations are representations only. All information contained in this document is provided for guidance only, and as Abesco Limited has no control over the installation methods of the products, or of the prevailing site conditions, no warranties expressed or implied are intended to be given as to the actual performance of the products mentioned or referred to, and no liability whatsoever will be accepted for any loss, damage or injury arising from the use of the information given of products mentioned or referred to herein.

Installation Instructions

Surface Mounting to Concrete Wall or Floor

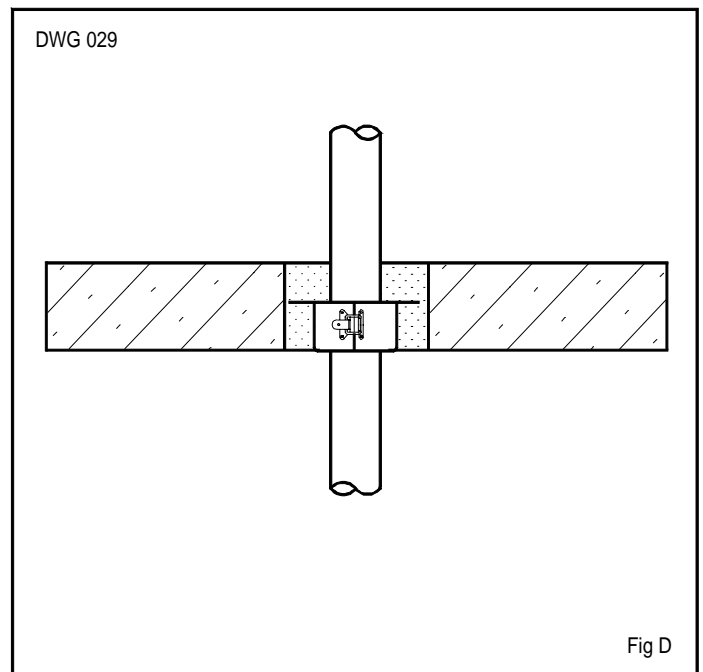
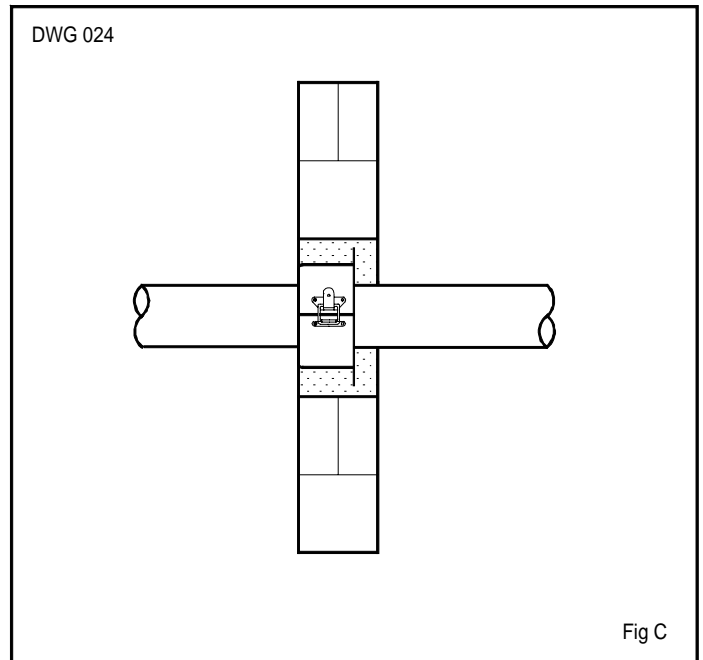
- 1 Please refer to Fig A and B (Typical Installation Details)
- 2 Attach the Super Compact Collar around the pipe so that the integral fixing lugs are pressed tight to the surface of the concrete / blockwork wall or soffit (underside) of the concrete floor.
- 3 Mark the position of the bolts through the slots in the integral fixing lugs onto the concrete surface with a marker pen.
- 4 Drill the bolt holes at the pre marked positions to suit the anchor bolts being used.
- 5 If the surface of the wall or floor is very uneven, it is recommended to bed the Super Compact Collar onto a bead of Abesco FR Intumescent or FR Silicone mastic to improve the smoke seal efficiency.
- 6 Insert the anchor bolts & tap home. Relocate the collar in position ensuring that the bolt heads are protruding through the slots in the mounting lugs, and that both halves of the Super Compact Collar are correctly fastened using the sidelock fixings on each side of the collar.
- 7 Finally, ensure that the Super Compact Collar is secured in position by tightening the retaining nuts onto the anchor bolts.
- 8 **NOTE: WALL FIXING ONLY** Where there is a fire risk on both sides of a wall, or the direction of fire risk has not been determined, the Abesco Super Compact Fire Collar should be fitted to both sides of the wall.



Installation Instructions

Cast In to Concrete Wall or Floor

- 1 Please refer to Fig C and D (Typical Installation Details)
- 2 Ensure that there is adequate annular space between the pipe and the concrete floor or wall to allow for the Super Compact Fire Collar and sufficient Abesco 'FR' Mortar to cast the collar in situ.
- 3 Attach the Super Compact Fire Collar around the pipe and ensure that both halves of the collar are correctly fastened together using the slidelock fixings on each side of the collar.
- 4 Slide the collar into place, so that the bottom edge is flush with the surface of the wall or the soffit (underside) of the concrete floor.
- 5 Fill the remaining space between the collar and the surrounding concrete floor with Abesco 'FR' Mortar (or other suitable non-combustible mortar). If necessary use a temporary shutter to retain the FR Mortar / non combustible mortar whilst it cures.
- 6 Check that the bottom edge of the Super Compact Fire Collar will remain exposed and be visible from the fire risk side of the wall or from the underside of the floor.
- 7 Remove any temporary shuttering or damming materials from around the seal only when the Abesco FR Mortar (or other suitable non-combustible mortar) has set or cured sufficiently.
- 8 **NOTE: WALL FIXING ONLY** Where there is a fire risk on both sides of a wall, or the direction of fire risk has not been determined, the Abesco Super Compact Fire Collar should be fitted to both sides of the wall.



As part of our policy of ongoing improvement, we reserve the right to modify, alter or change product specifications without giving notice. Product illustrations are representations only. All information contained in this document is provided for guidance only, and as Abesco Limited has no control over the installation methods of the products, or of the prevailing site conditions, no warranties expressed or implied are intended to be given as to the actual performance of the products mentioned or referred to, and no liability whatsoever will be accepted for any loss, damage or injury arising from the use of the information given of products mentioned or referred to herein.

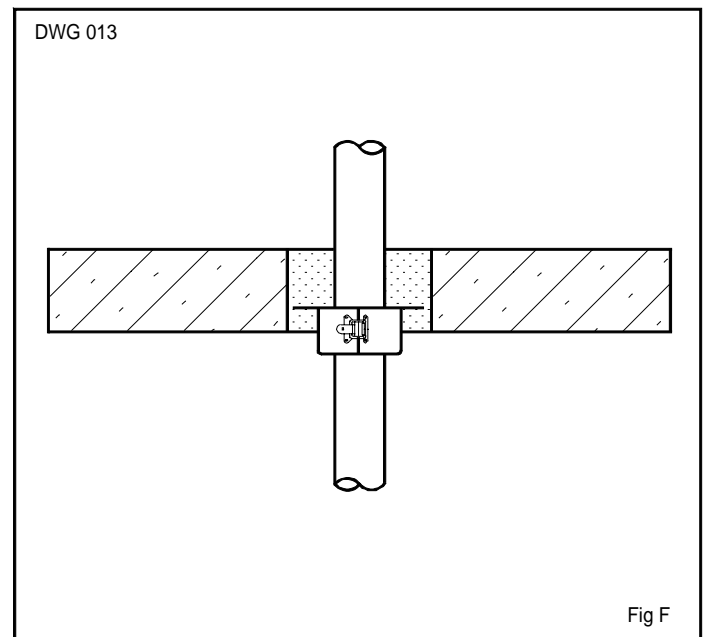
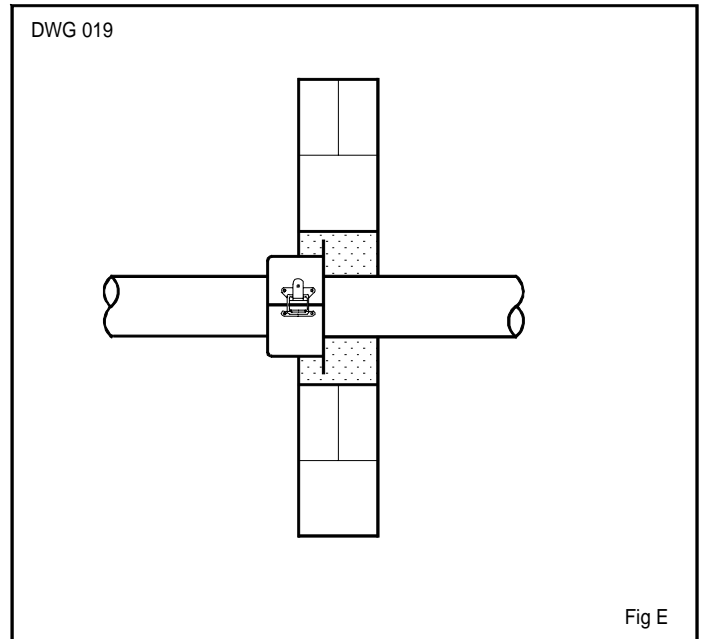
Abesco Ltd, Abesco House
Laurencekirk Business Park
Laurencekirk
Scotland, UK
AB30 1EY

Phone: +44 (0) 1561 377766
Fax: +44 (0) 1561 378887
Email: technical@abesco.co.uk
Website: <http://www.abesco.co.uk>

Installation Instructions

Semi Cast In to Concrete Wall or Floor

- 1 Please refer to Fig C and D (Typical Installation Details)
- 2 Ensure that there is adequate annular space between the pipe and the concrete floor or wall to allow for the Series 2 Pipe Collar and sufficient Abesco 'FR' Mortar to cast the collar in.
- 3 Attach the Super Compact Pipe Collar around the pipe and ensure that both halves of the collar are correctly fastened together using the slidelock fixings on each side of the collar.
- 4 Slide the collar into place, so that approximately half of the Super Compact Pipe Collar is protruding from the surface of the wall or the soffit (underside) of the concrete floor, and the remaining half is positioned within the thickness of the wall or floor.
- 5 Fill the remaining space between the collar and the surrounding concrete floor with Abesco 'FR' Mortar (or other suitable non-combustible mortar). If necessary use a temporary shutter around the pipe / collar to retain the FR Mortar / non combustible mortar whilst it cures.
- 6 Remove any temporary shuttering or damming materials from around the seal only when the Abesco FR Mortar (or other suitable non-combustible mortar) has set or cured sufficiently.
- 7 **NOTE: WALL FIXING ONLY** Where there is a fire risk on both sides of a wall, or the direction of fire risk has not been determined, the Super Compact Pipe Collar should be fitted to both sides of the wall.



Installation Instructions

Surface Mounting to a Metal Stud Dry Wall

- 1 Please refer to Fig G (Typical Installation Details).
- 2 Attach the Super Compact Pipe Collar to the pipe so that the integral fixing lugs are pressed tight to the surface of the partition wall.
- 3 Mark the position of the bolt slots in the fixing lugs onto the surface of the wall with a marker pen.
- 4 Rotate the collar slightly, (or if access is restricted remove from pipe), and drill holes at the pre-marked positions to suit the fixings used.
- 5 If the surface of the wall is very uneven, it is recommended to bed the collar onto a bead of Abesco FR Intumescent or FR WB Silicone mastic to improve the smoke seal efficiency.
- 6 Insert suitable non-combustible drywall cavity fixings. Relocate the collar in position ensuring that both halves of the collar are securely fastened using the slidlock fixings and that the bolt slots in the fixing lugs are correctly aligned with the drywall cavity fixings mentioned above. Insert and tighten the correct screws or bolts recommended for use with the drywall cavity fixings, and ensure that the Super Compact Collar is secured in position.
- 7 **NOTE: WALL FIXING ONLY** Where there is a fire risk on both sides of a wall, or the direction of fire risk has not been determined, the Super Compact Pipe Collar should be fitted to both sides of the wall.

